

CUSTOM CAPABILITIES

In addition to an extensive inventory of exceptional Italian-designed, American-made seating products, Motivo Furniture also offers a wide range of custom capabilities that reflect the company's high design standards and manufacturing excellence.

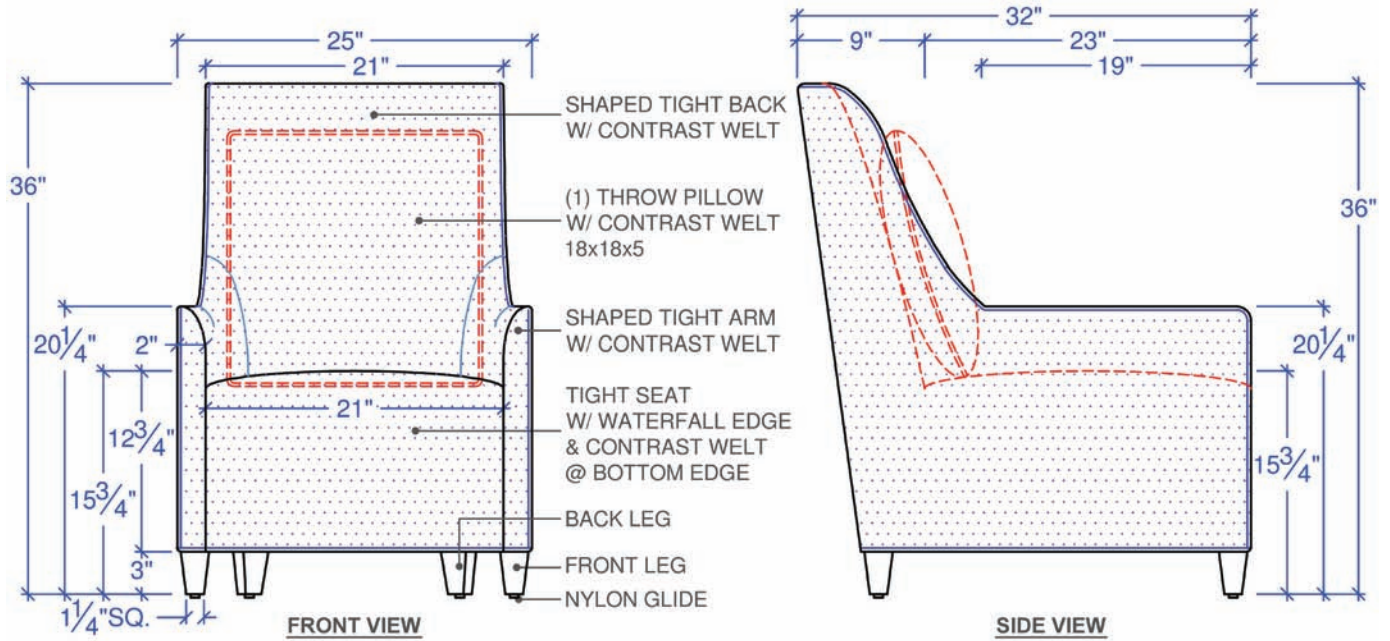
Our custom process for product development and manufacturing from your design vision through finished products includes:

- Product Engineering
- CAD Drawings
- Component Sourcing
- Custom Manufacturing
- Quality Control
- Shipping Logistics



Our custom manufacturing capabilities include exposed wood, mixed materials or fully upholstered seating, as well as occasional tables. Motivo's capacity, capabilities and experience are the perfect choice for public areas, guestrooms, suites, restaurants, clubs, offices or healthcare.





Motivo closely manages each step to ensure a seamless process through to the finished products that are right for your project, on time and on budget. Trust Motivo Furniture when American-made custom craftsmanship is essential to your creative vision. Visit www.motivofurniture.com for more information or to find a representative near you.

